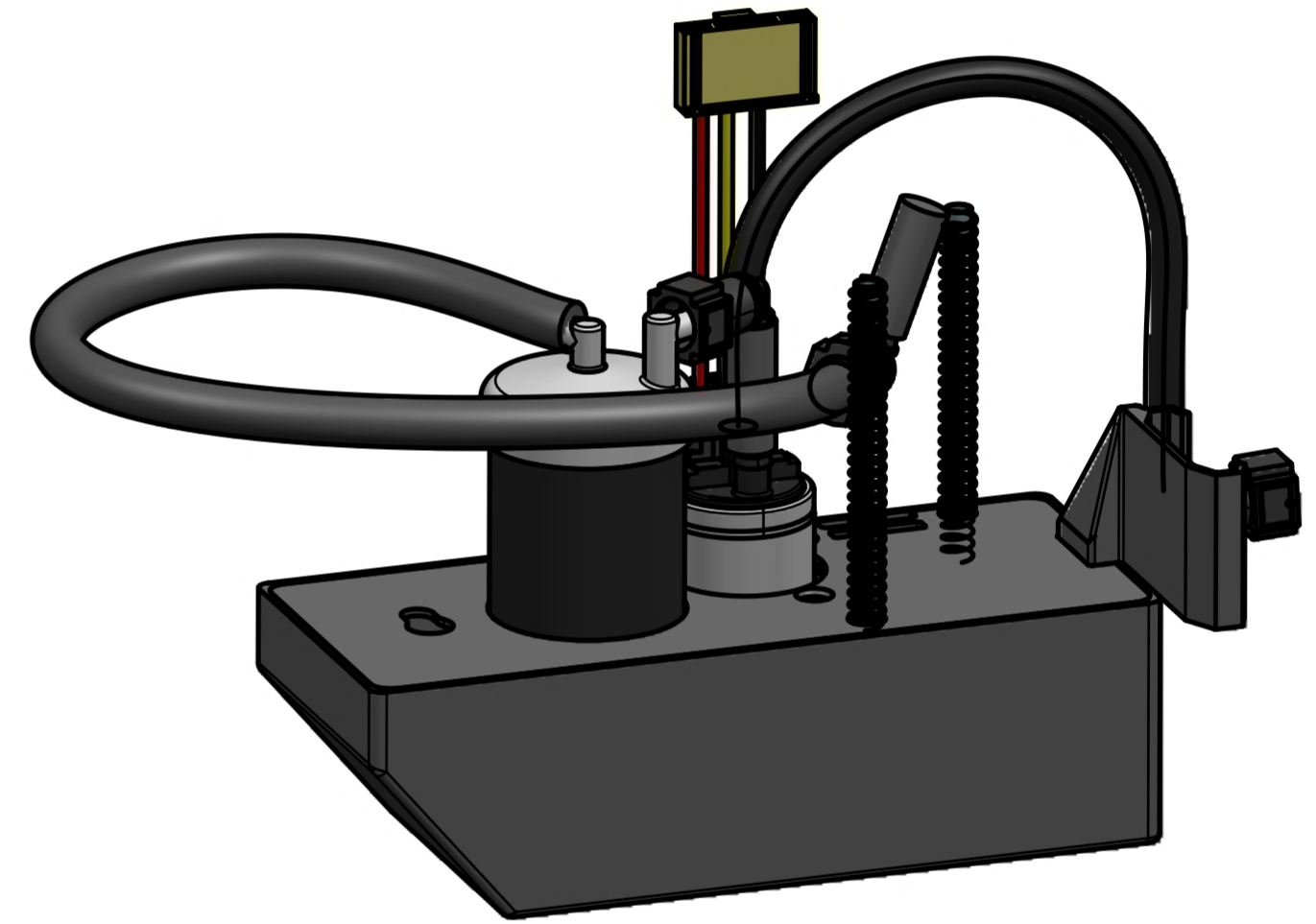
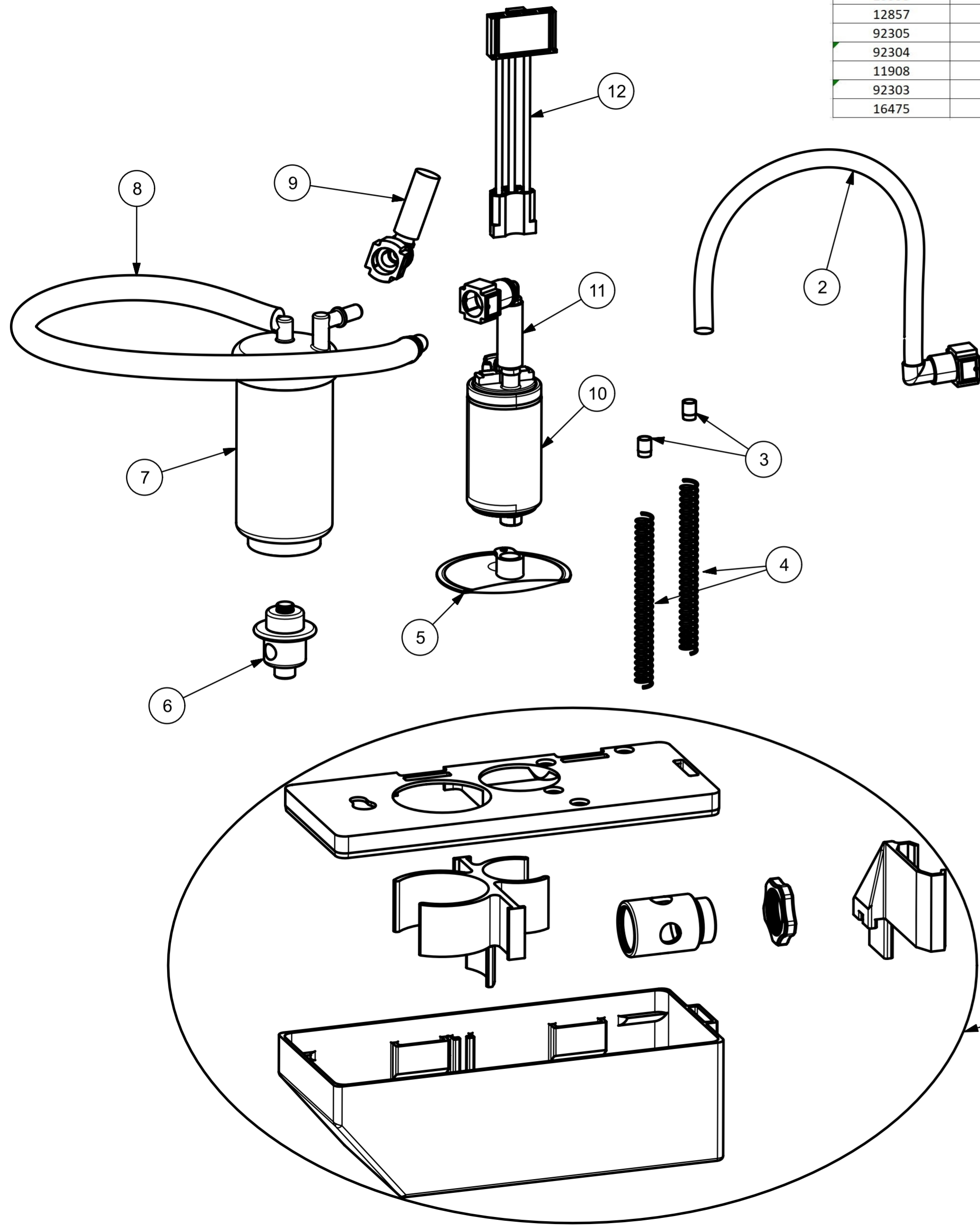


Part No	BOM Item No	Description	Qty Per Assembly
20001	1	Golf Mk7 lower collector assembly	1
14519	2	Convolved In-Tank Fuel Hose, 255mm, 5.5mm ID, Black with 7.89 90 degree id 5 SAE connector	1
22-07-914000	3	spring retainer	2
23-02-91000	4	Springs	2
12818	5	Filter, 19mm ID, 80x70mm, 65 Micron	1
13553	6	Filter regulator capsule type, 6.8 bar	1
12857	7	Filter/ Regulator, Ø7.89 Male QC inlet, 6mm barb outlet no capsule	1
92305	8	Golf Mk7 OEM filter to top flange,Oetiker 12.8-30SS, XRP Pro Plus 333006XM 340mm, Male SAE 9.49, 1" rw200 on filter end	1
92304	9	9.49 SAE Female 90 Deg - XRP Pro Plus 333006XM 40mm, Oetiker 12.8-304SS - Top flange 1" RW200	1
11908	10	Fuel Pump, Brushless Cobra Compact with 9mm Barb Outlet and 6mm siphon Outlet, High Flow	1
92303	11	7.89 SAE Female 90 deg - XRP Pro Plus 333007XM to 11908 pump, 35mm, Oetiker 15.3-304SS	1
16475	12	Loom for ttrs tuner kit with single brushless 11908 pump	1



ASSEMBLY

RADIUS: 0.2MM UNLESS OTHERWISE STATED CHAMFER: 0.2 X 45° UNLESS OTHERWISE STATED UNLESS OTHERWISE SPECIFIED DIMENSIONS ARE IN MILLIMETRES	THE DOCUMENT AND THE COPYRIGHT HEREIN ARE CONFIDENTIAL AND THE PROPERTY OF PROTEC FUEL SYSTEMS LTD. AND MUST NOT BE COPIED OR DISCLOSED TO ANY THIRD PARTY IN SUCH A MANNER AND HAVE SUCH PURPOSE AS ARE AUTHORISED IN WRITING BY PROTEC FUEL SYSTEMS LTD.			
	TITLE AUDI TTRS/RS3 TUNER FUEL TANK UPGRADE KIT 19000			
TOLERANCES: LINEAR: ±0.1MM ANGULAR: ±0.5° DEBUR AND BREAK SHARP EDGES PLEASE INFROM DRAWING OFFICE OF ANY ERRORS DO NOT SCALE DRAWING - IF IN DOUBT ASK	 THIRD ANGLE PROJECTION	MATERIAL N/A	DRAWING NUMBER 23-02-905000	REVISION 1
SCALE: 1:1		SHEET 1 OF 1		